

**576 XP**

**570**

**576 XP EPA**

**570 EPA**

**Spare parts**

**Ersatzteile**

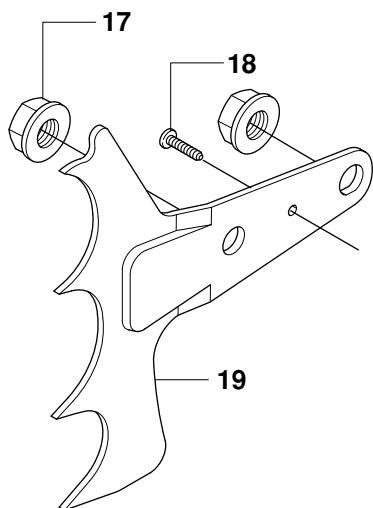
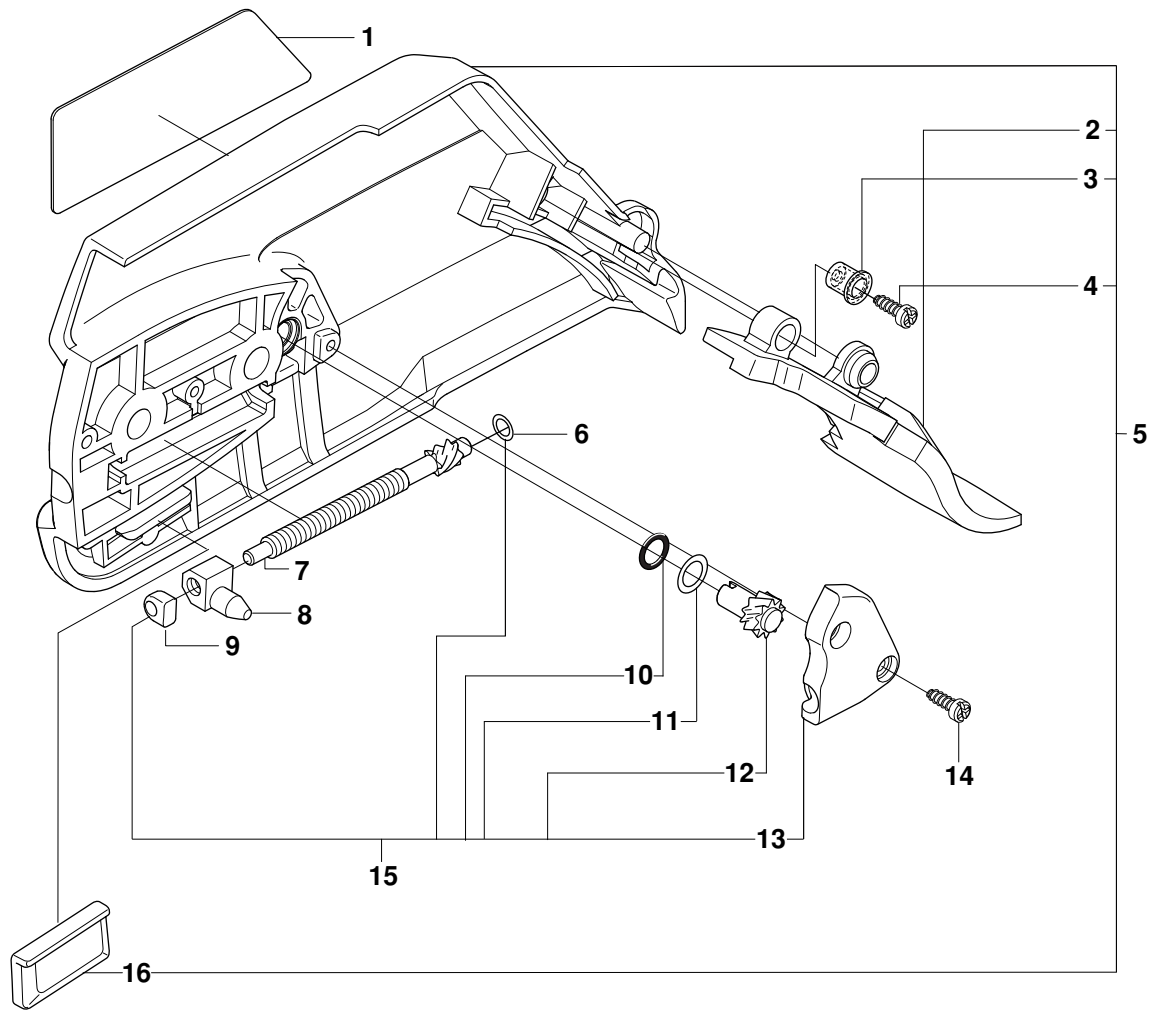
**Pièces détachées**

**Reserve onderdelen**

**Repuestos**

**Reservdelar**

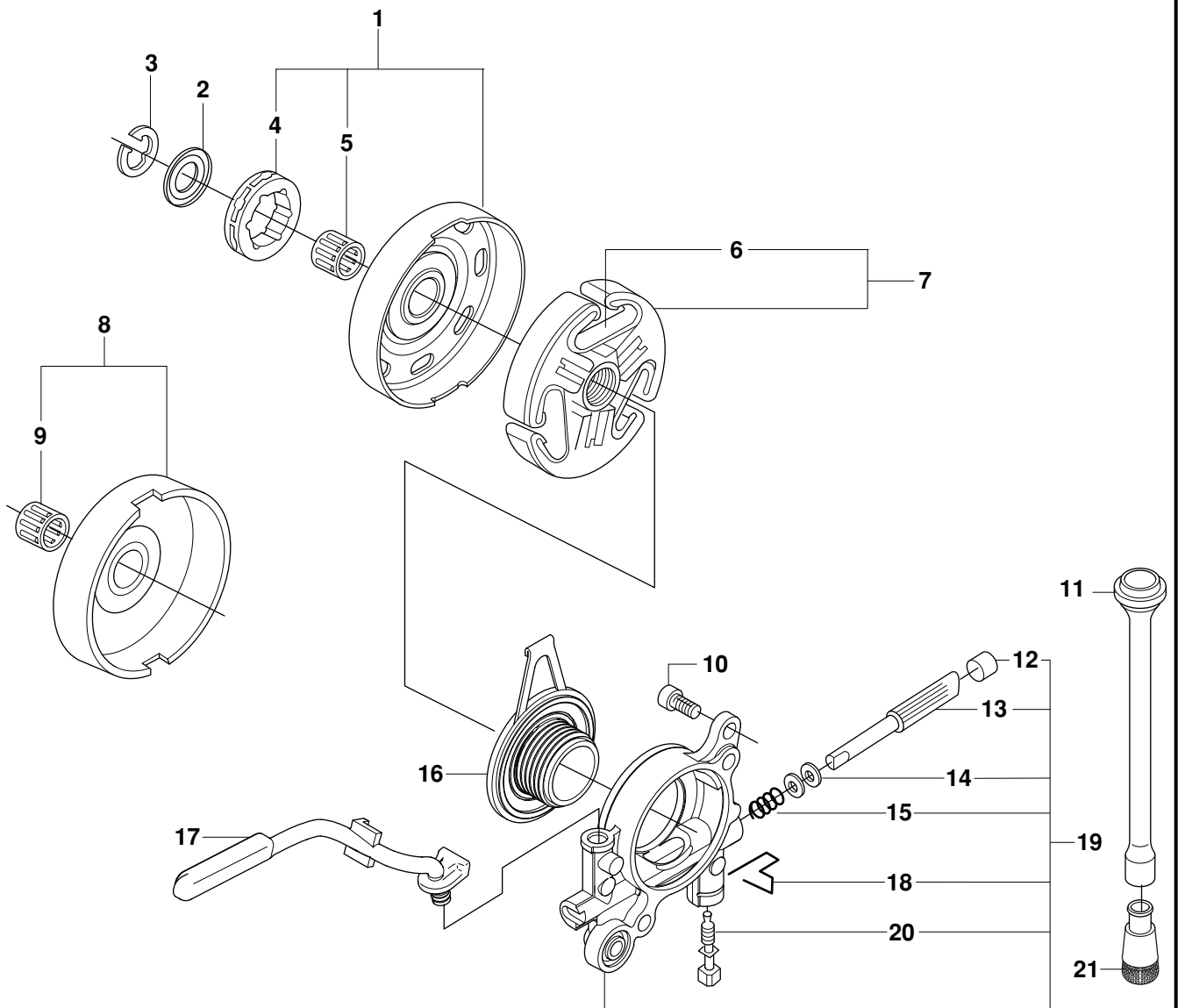
# A2 570, 576XP



**Page A2, Clutch cover  
570, 576XP**

<b>Pos.</b>	<b>Compl No.</b>	<b>Part No.</b>	<b>Quantity</b>	<b>Notes</b>
1		537 03 38-03	1	
2	537 03 35-01, 537 03 35-04	503 76 29-02	1	
3	537 03 35-01, 537 03 35-04	503 89 70-01	1	
4	537 03 35-01, 537 03 35-04	503 21 28-10	1	
5		537 03 35-01	1	570 Orange
5		537 03 35-04	1	576XP Silver
6	537 04 41-02	503 23 00-66	1	
7	537 04 41-02	537 07 95-01	1	
8	537 04 41-02	503 99 83-01	1	
9	537 04 41-02	537 01 74-01	1	
10	537 04 41-02	740 48 07-02	1	
11	537 04 41-02	503 23 00-63	1	
12	537 04 41-02	537 07 94-01	1	
13	537 04 41-02	537 01 68-01	1	
14	537 03 35-01, 537 03 35-04	503 21 28-10	2	
15	537 03 35-01, 537 03 35-04	537 04 41-02	1	
16	537 03 35-01, 537 03 35-04	501 51 72-01	1	
17		503 22 00-01	2	
18		503 21 28-10	1	
19		503 71 97-01	1	

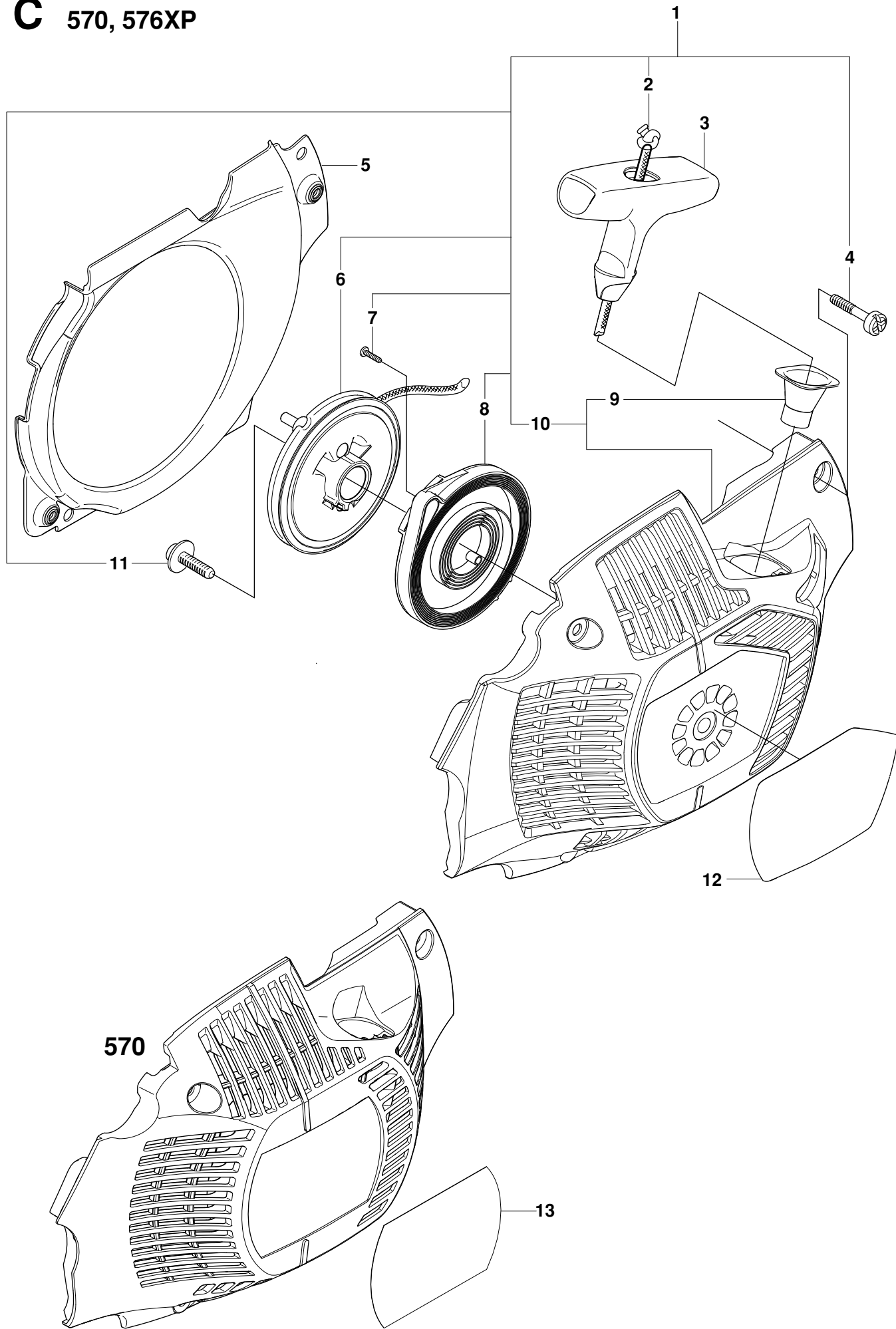
# B 570, 576XP



**Page B, Clutch & Oil pump  
570, 576XP**

Pos.	Compl No.	Part No.	Quantity	Notes
1		502 44 04-02	1	3/8 x 7T
1		502 44 04-03	1	3/8 x 8T
2		503 75 24-01	1	
3		503 27 21-01	1	
4	502 44 04-02	501 59 80-02	1	3/8 x 7T
4	502 44 04-03	505 30 36-61	1	3/8 x 8T
5	502 44 04-02, 502 44 04-03	503 43 20-01	1	
6	503 74 44-05	537 36 06-01	3	
7		503 74 44-05	1	
8		503 86 17-03	1	
9	503 86 17-03	503 43 20-01	1	
10		503 20 53-01	2	
11		501 89 53-01	1	
12	503 52 13-03	503 62 49-01	1	
13	503 52 13-03	503 52 15-01	1	
14	503 52 13-03	503 23 00-04	2	
15	503 52 13-03	501 61 58-01	1	
16		537 20 78-04	1	
17		537 20 91-01	1	
18	503 52 13-03	503 81 30-01	1	
19		503 52 13-03	1	
20	503 52 13-03	503 81 13-01	1	
21		501 54 41-02	1	

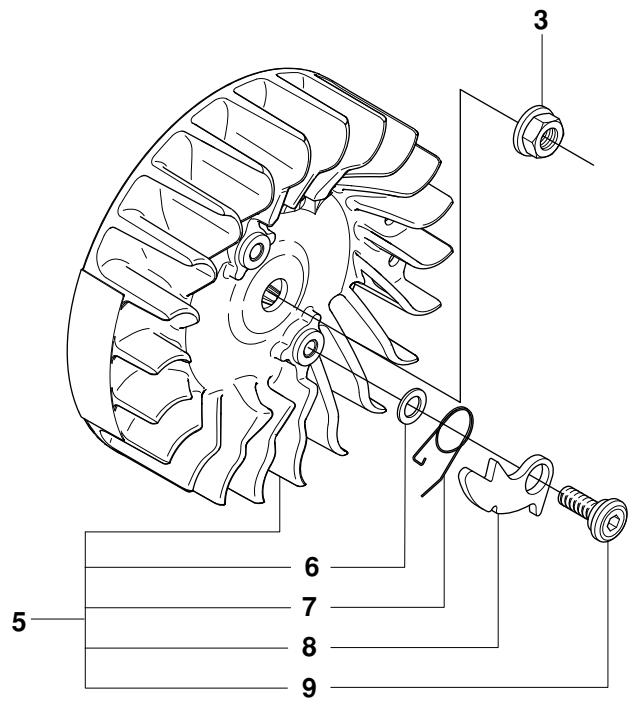
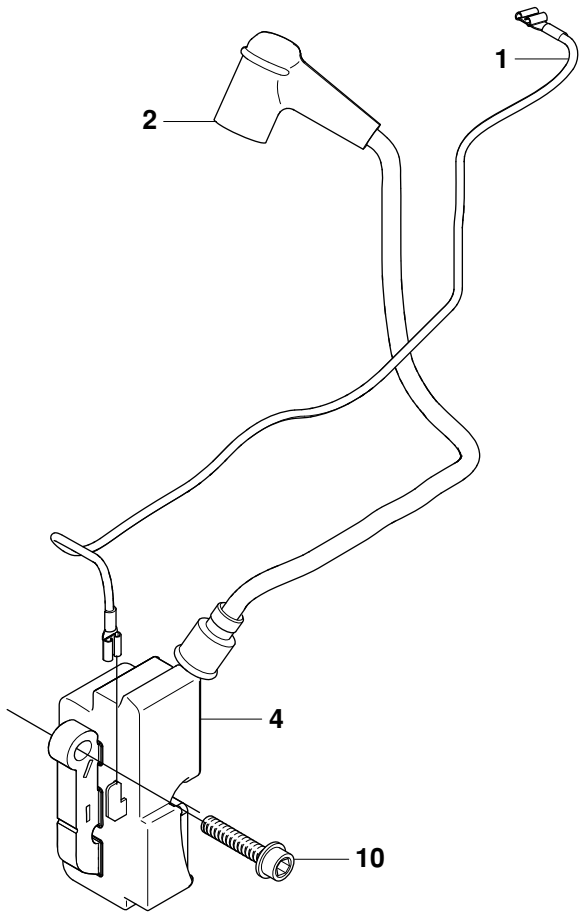
**C** 570, 576XP



**Page C, Starter  
570, 576XP**

<b>Pos.</b>	<b>Compl No.</b>	<b>Part No.</b>	<b>Quantity</b>	<b>Notes</b>
1		504 04 55-02	1	576XP
1		537 20 29-02	1	570
2	504 04 55-02, 537 20 29-02	505 30 51-25	1	
3	504 04 55-02, 537 20 29-02	537 23 25-01	1	
4	504 04 55-02, 537 20 29-02	503 20 34-19	4	
5	504 04 55-02, 537 20 29-02	537 20 26-01	1	
6	504 04 55-02, 537 20 29-02	537 20 24-01	1	
7	504 04 55-02, 537 20 29-02	503 21 28-13	2	
8	504 04 55-02, 537 20 29-02	537 28 34-01	1	
9	504 04 55-02, 537 20 29-02	537 28 32-01	1	
10	504 04 55-02	504 04 54-01	1	576XP
10	537 20 29-02	537 20 23-01	1	570
11	504 04 55-02, 537 20 29-02	503 20 52-16	1	
12		504 09 41-01	1	576XP
12		504 09 41-02	1	576XPG
13		537 21 21-01	1	570

**D** 570, 576XP

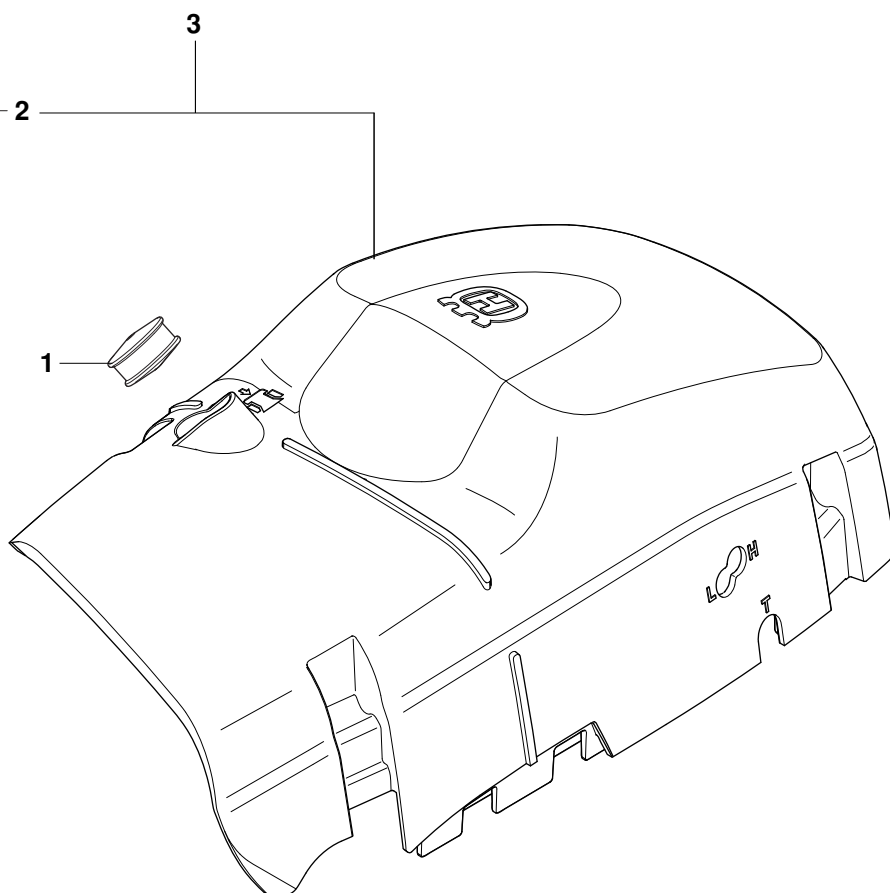




**Page D, Ignition system  
570, 576XP**

<b>Pos.</b>	<b>Compl No.</b>	<b>Part No.</b>	<b>Quantity</b>	<b>Notes</b>
1		537 20 86-01	1	
2		501 48 54-02	1	
3		503 22 04-01	1	
4		510 11 57-01	1	COT
5		537 20 96-01	1	
6	537 20 96-01	503 23 00-42	2	
7	537 20 96-01	501 67 35-01	2	
8	537 20 96-01	501 67 32-01	2	
9	537 20 96-01	501 81 99-01	2	
10		503 20 02-20	2	

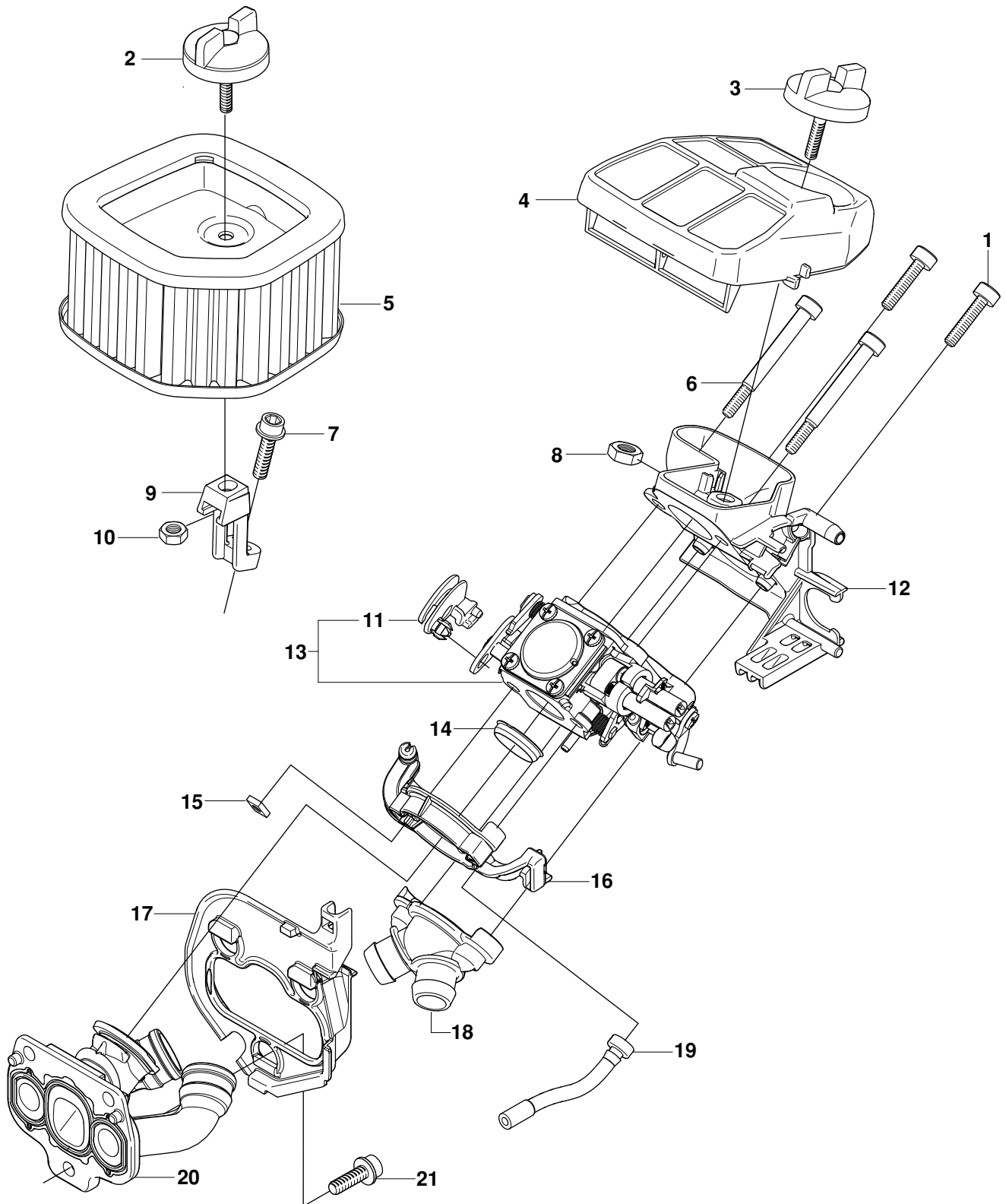
# E1 570, 576XP



**Page E1, Cylinder cover  
570, 576XP**

<b>Pos.</b>	<b>Compl No.</b>	<b>Part No.</b>	<b>Quantity</b>	<b>Notes</b>
1		537 20 71-01	1	
2	537 21 25-01	503 98 74-01	1	
3		537 21 25-01	1	
4		537 21 05-01	1	

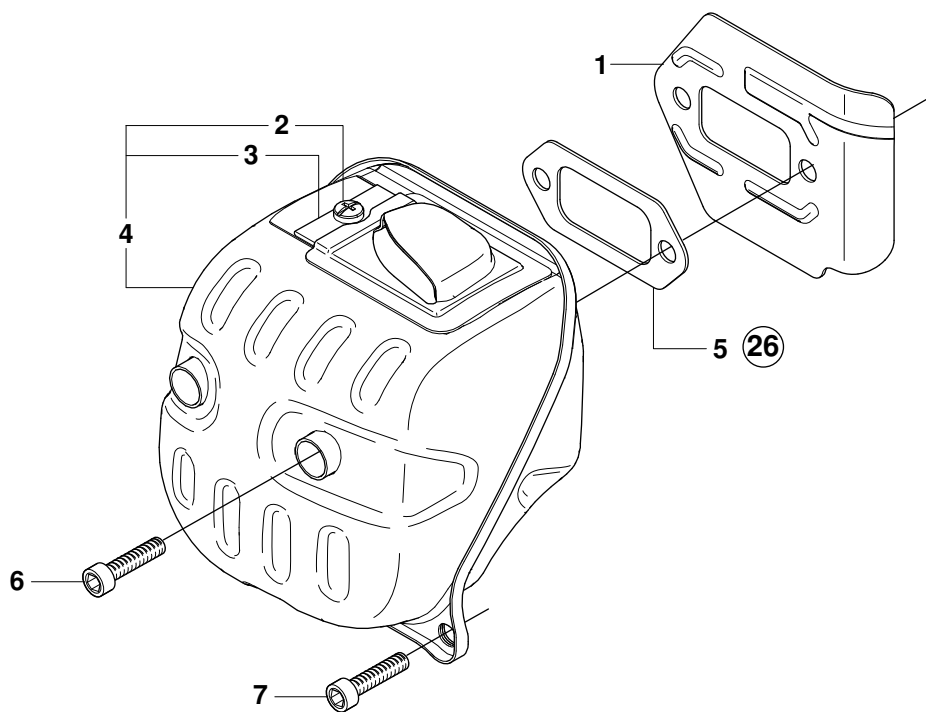
# F 570, 576XP



**Page F, Carburetor & Air filter  
570, 576XP**

<b>Pos.</b>	<b>Compl No.</b>	<b>Part No.</b>	<b>Quantity</b>	<b>Notes</b>
1		503 20 25-20	2	
2		537 21 32-01	1	
3		537 21 32-01	1	
4		537 20 66-01	1	80 My
4		537 20 66-02	1	44 My
4		537 20 66-03	1	Felt
5		537 20 75-01	1	Felt
5		537 20 75-02	1	80 My
5		537 20 75-03	1	44 My
6		503 20 39-01	2	
7		503 21 26-16	1	
8	537 20 50-01	731 23 14-01	1	
9		537 21 04-01	1	
10	537 21 04-01	731 23 14-01	1	
11	544 19 98-01	537 21 37-01	1	
12		537 20 50-01	1	
13		544 19 98-01	1	
14		537 20 46-01	1	
15	537 20 45-01	503 22 65-03	2	
16		537 20 45-01	2	
17		537 20 47-01	1	
18		537 20 49-01	1	
19		537 20 37-01	1	
20		537 20 43-01	1	
21		503 20 02-16	3	

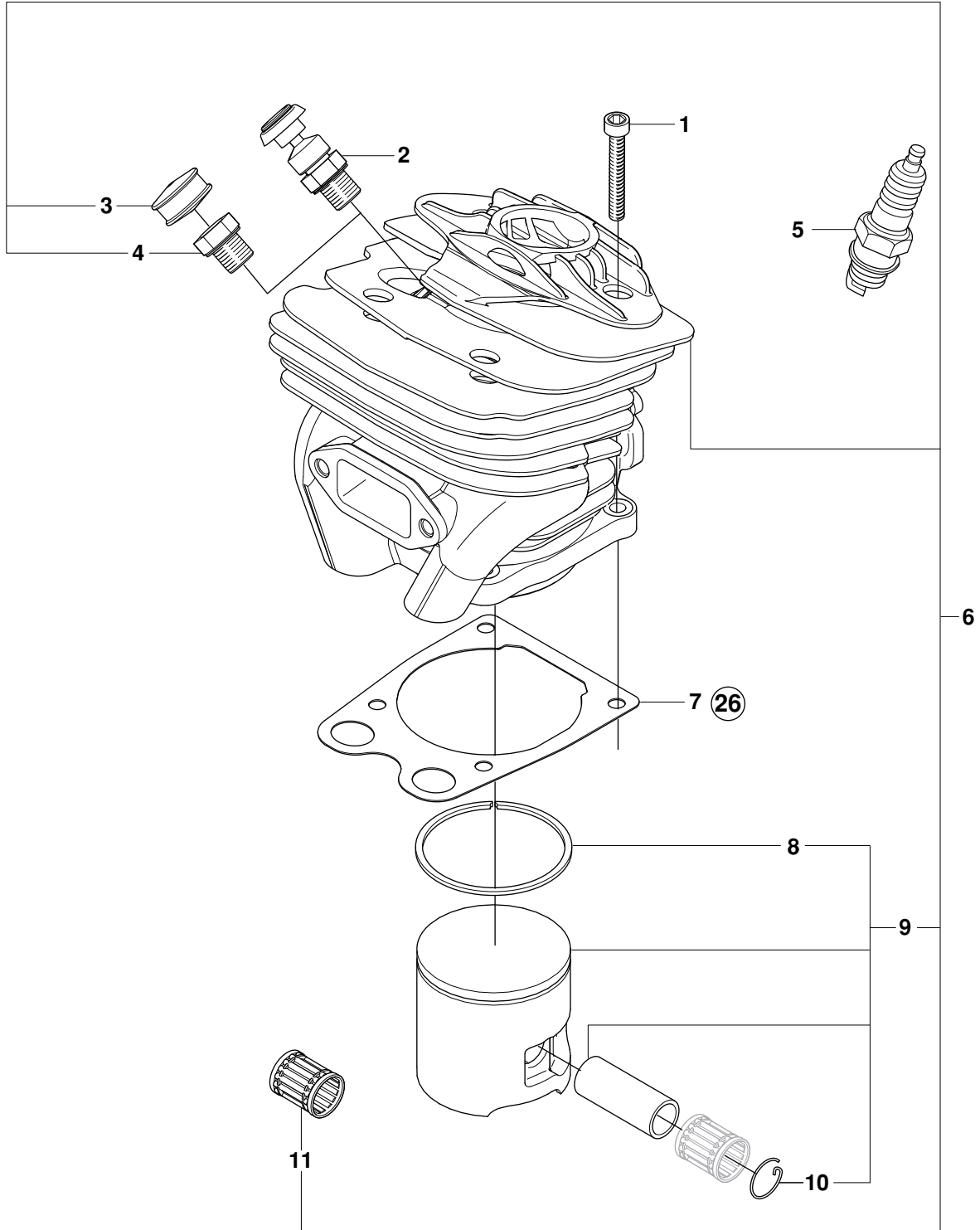
**G** 570, 576XP



**Page G, Muffler  
570, 576XP**

<b>Pos.</b>	<b>Compl No.</b>	<b>Part No.</b>	<b>Quantity</b>	<b>Notes</b>
1		537 21 06-01	1	
2	544 03 02-01, 544 03 02-02	724 12 87-59	1	
3	544 03 02-01, 544 03 02-02	503 76 64-02	1	
4		544 03 02-01	1	FF CE
4		544 03 02-02	1	DF US
5	537 21 26-01, 537 21 26-02	537 20 82-01	1	
6		725 53 70-55	2	
7		503 20 73-20	2	
26		537 21 26-01		570
26		537 21 26-02		576XP

# H1 570

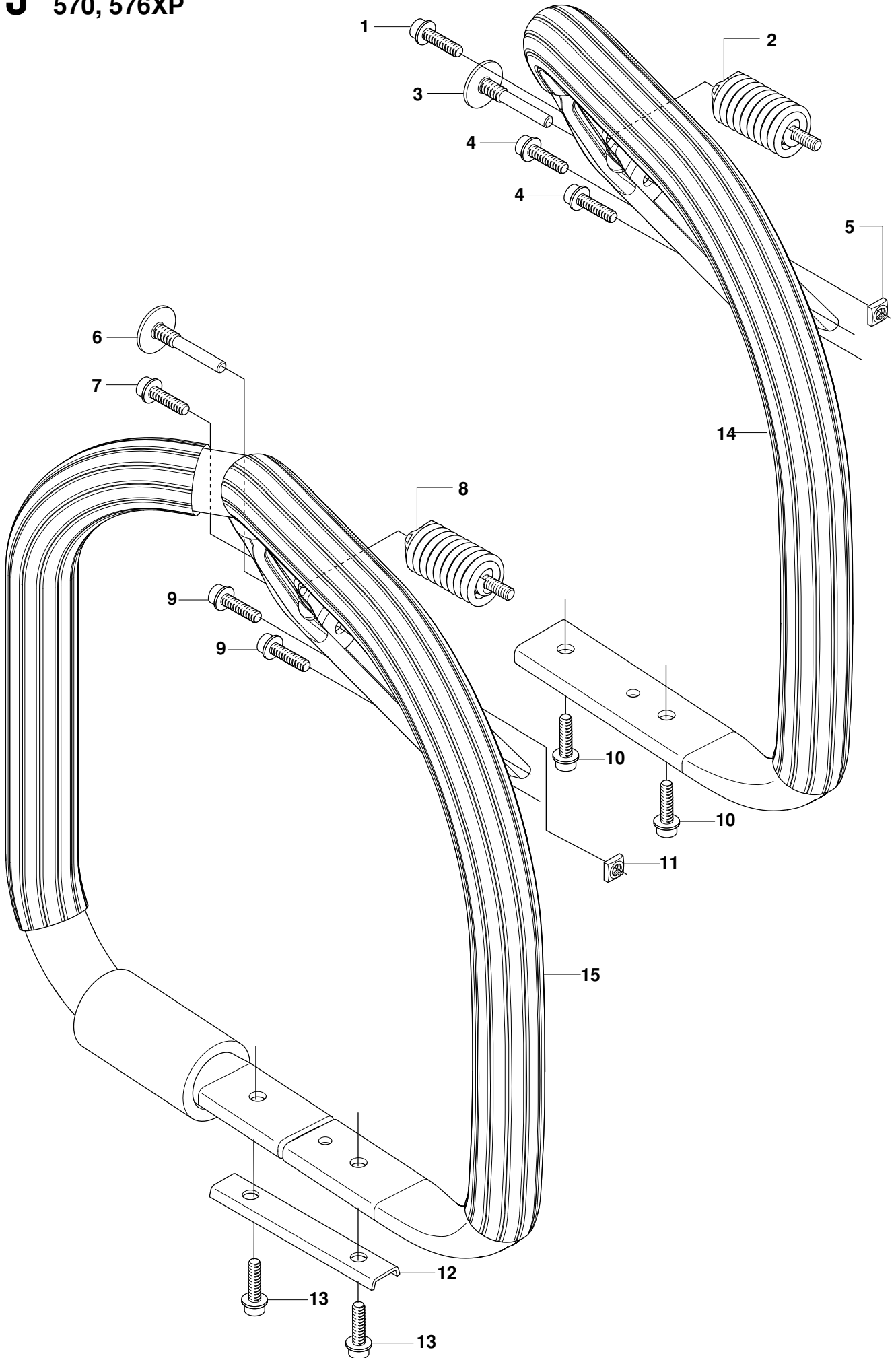




**Page H1, Cylinder piston  
570**

<b>Pos.</b>	<b>Compl No.</b>	<b>Part No.</b>	<b>Quantity</b>	<b>Notes</b>
1		725 53 33-55	4	
2		537 29 44-01	1	
3	537 25 45-02	537 20 71-01	1	
4	537 25 45-02	503 55 22-01	1	
5		503 23 51-11	1	
6		537 25 45-02	1	570
7	537 21 26-01	537 20 80-01	1	
8	537 25 45-02	503 28 90-46	1	
9	537 25 45-02	537 25 47-02	1	
10	537 25 45-02	737 43 12-00	2	
11	537 25 45-02	503 25 56-01	1	
26		537 21 26-01		

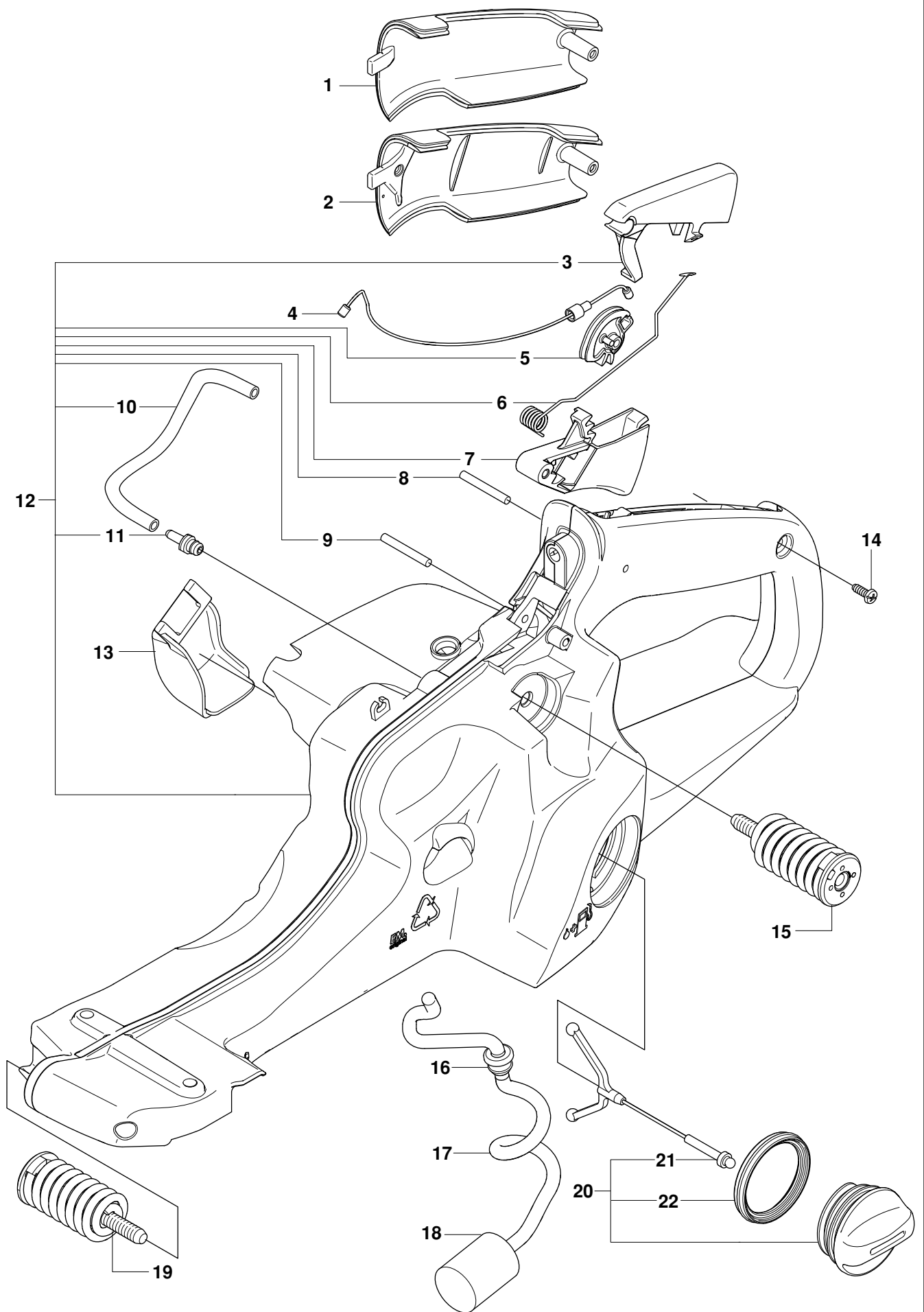
**J** 570, 576XP



**Page J, Handle  
570, 576XP**

<b>Pos.</b>	<b>Compl No.</b>	<b>Part No.</b>	<b>Quantity</b>	<b>Notes</b>
1		503 21 88-74	1	
2		503 63 75-02	1	
3	537 20 59-01, 537 20 59-03	503 20 47-01	1	
4		503 21 88-74	2	
5	537 20 59-01, 537 20 59-03	503 22 66-01	1	
6	537 20 89-01	503 20 47-01	1	
7		503 21 88-74	1	
8		503 63 75-02	1	
9		503 21 88-74	2	
10		503 21 88-74	2	
11	537 20 89-01	503 22 66-01	1	
12		537 03 73-01	1	
13		503 21 88-74	2	
14		537 20 59-01	1	compl. 570 Ø 29mm
14		537 20 59-03	1	compl. 576XP Ø 27mm
15		537 20 89-01	1	compl. 576 WA

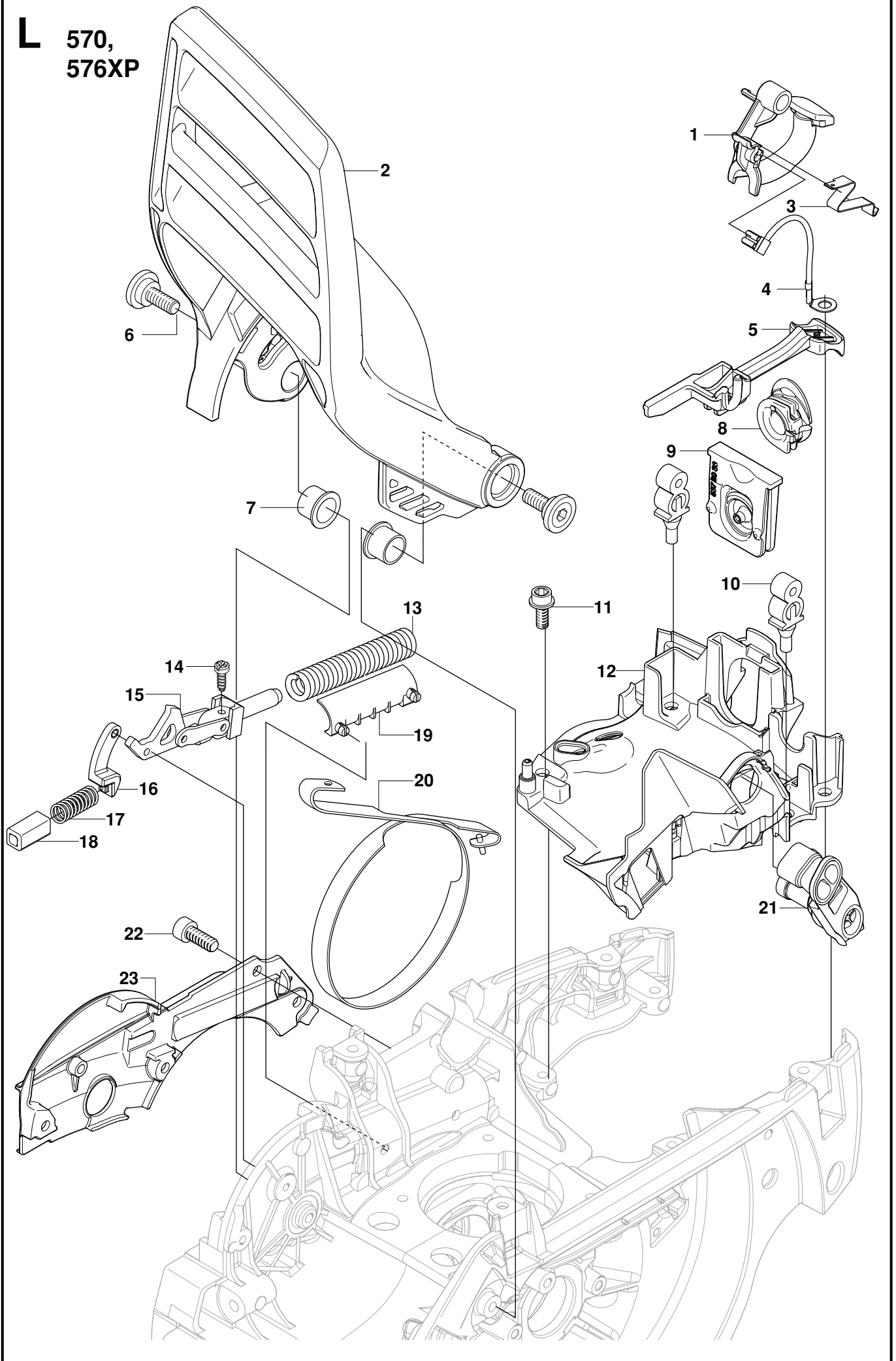
# K 570, 576XP



**Page K, Fuel tank  
570, 576XP**

<b>Pos.</b>	<b>Compl No.</b>	<b>Part No.</b>	<b>Quantity</b>	<b>Notes</b>
1		537 20 55-01	1	570
2		537 20 56-01	1	576XP
3	537 21 35-04	537 20 84-01	1	
4		537 21 11-01	1	
5	537 21 35-04	537 20 85-01	1	
6	537 21 35-04	537 20 98-01	1	
7	537 21 35-04	537 20 83-01	1	
8	537 21 35-04	720 12 40-20	1	
9	537 21 35-04	720 12 40-20	1	
10	537 21 35-04	544 32 49-06	1	
11	537 21 35-04	537 35 95-01	1	
12		537 21 35-04	1	
13		537 20 57-01	1	
14		503 21 28-10	1	
15		537 21 03-01	1	Std
15		537 21 03-02	1	Hard
16		503 73 58-01	1	
17		544 32 50-02	1	
18		503 44 32-01	1	
19		537 21 03-03	1	Std
19		537 21 03-04	1	Hard
20		537 21 52-02	1	
21	537 21 52-02	503 57 89-01	1	
22	537 21 52-02	537 21 50-01	1	

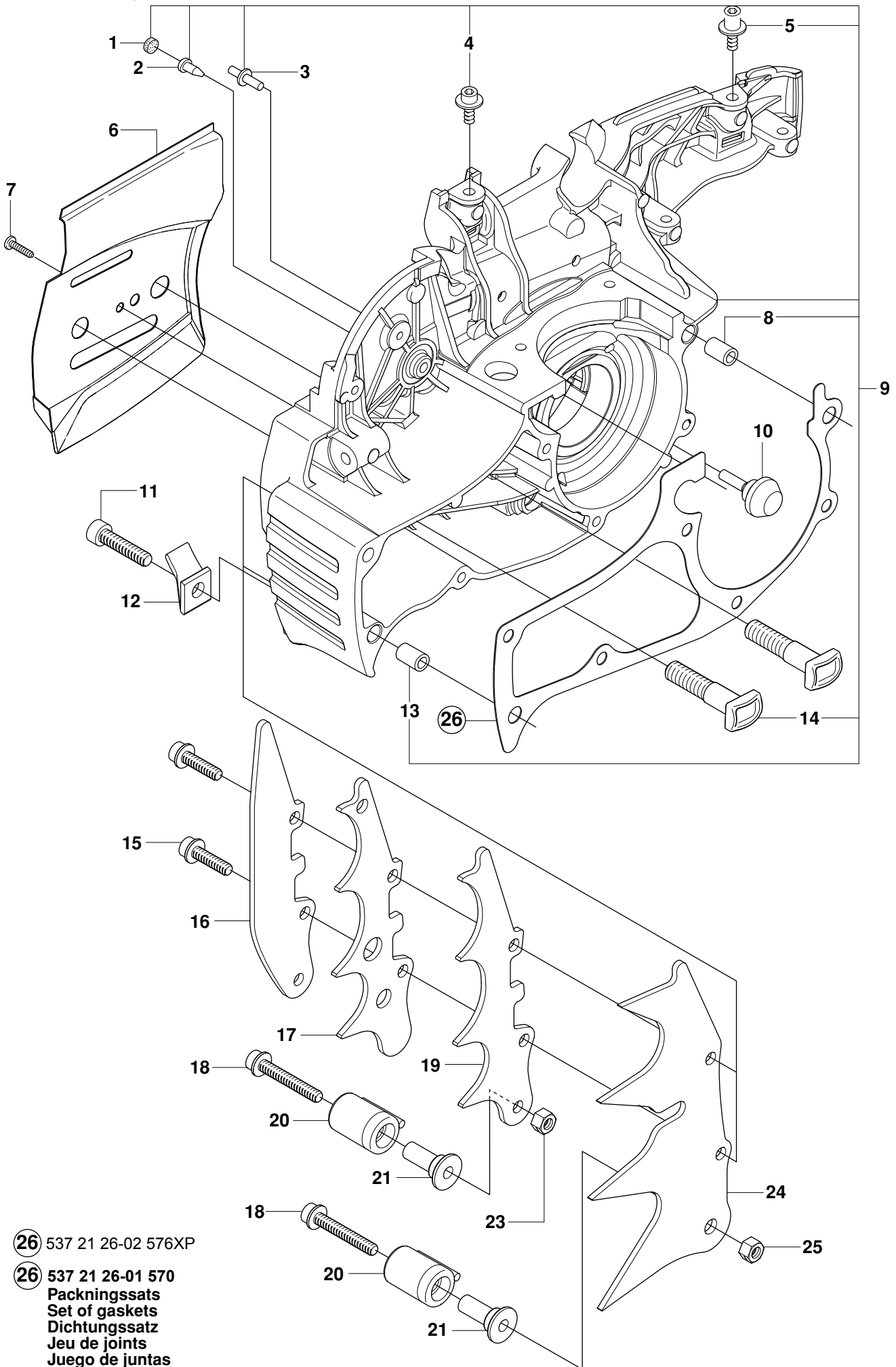
**L** 570,  
576XP



**Page L, Chain brake  
570, 576XP**

<b>Pos.</b>	<b>Compl No.</b>	<b>Part No.</b>	<b>Quantity</b>	<b>Notes</b>
1		537 20 51-01	1	
2		537 20 27-01	1	
3		503 86 97-02	1	
4		537 20 87-01	1	
5		537 20 52-01	1	
6		537 20 90-01	2	
7		537 20 28-01	2	
8		537 20 53-01	1	
9		537 20 38-01	1	
10		503 86 93-01	2	
11		503 20 07-12	4	
12		537 20 35-01	1	
13		503 70 99-01	1	
14		503 21 28-10	1	
15		501 87 53-04	1	
16		537 20 31-01	1	
17		503 43 65-01	1	
18		537 21 07-01	1	
19		503 79 27-01	1	
20		503 75 22-02	1	
21		537 20 36-01	1	
22		503 21 70-72	4	
23		537 20 32-01	1	

# M1 570, 576XP



26 537 21 26-02 576XP

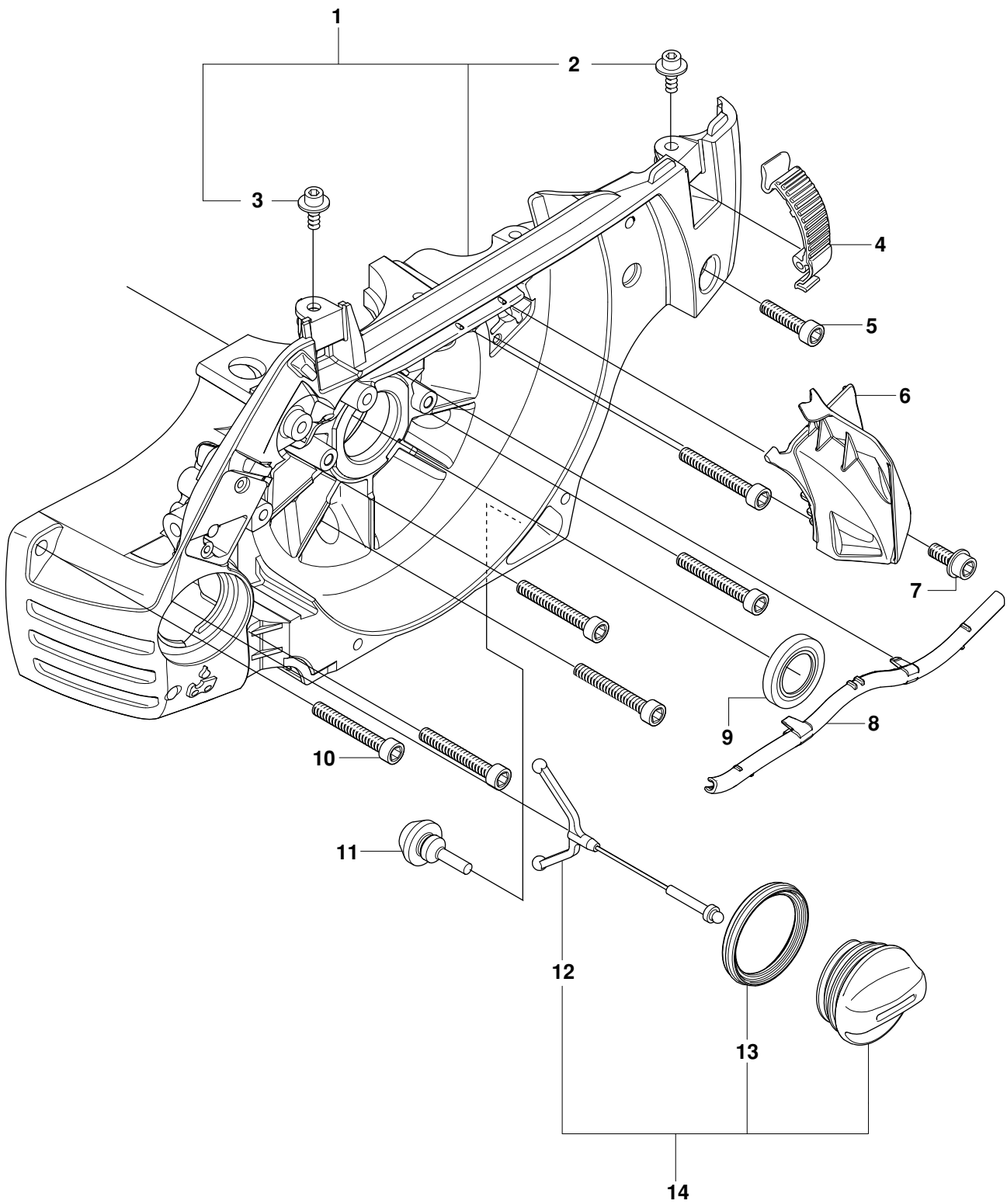
26 537 21 26-01 570  
 Packningssats  
 Set of gaskets  
 Dichtungssatz  
 Jeu de joints  
 Juego de juntas



**Page M1, Crankcase  
570, 576XP**

Pos.	Compl No.	Part No.	Quantity	Notes
1	537 20 93-04, 544 89 66-02	537 40 35-01	1	
2	537 20 93-04, 544 89 66-02	530 02 61-19	1	
3	537 20 93-04, 544 89 66-02	537 20 30-01	1	
4	537 20 93-04, 544 89 66-02	505 11 15-01	1	
5	537 20 93-04, 544 89 66-02	505 11 15-01	1	
6		537 01 37-02	1	
7		503 21 28-10	1	
8	537 20 93-04, 544 89 66-02	501 27 08-01	1	
9		537 20 93-04	1	570
9		544 89 66-02	1	576XP
10		503 84 61-01	1	
11		503 20 73-20	1	
12		537 37 79-01	1	
13	537 20 93-04, 544 89 66-02	501 27 08-01	1	
14	537 20 93-04, 544 89 66-02	537 05 13-01	2	
15		503 21 26-16	2	
16		537 04 29-01	1	
17		503 64 79-02	1	
18		503 20 74-30	1	
19		537 01 71-01	1	
20		537 02 44-01	1	
21		537 08 92-01	1	
22		503 20 74-30	1	
23		503 22 24-01	1	
24		537 01 72-01	1	
25		503 22 24-01	1	
26		537 21 26-01	1	570
26		537 21 26-02	1	576XP

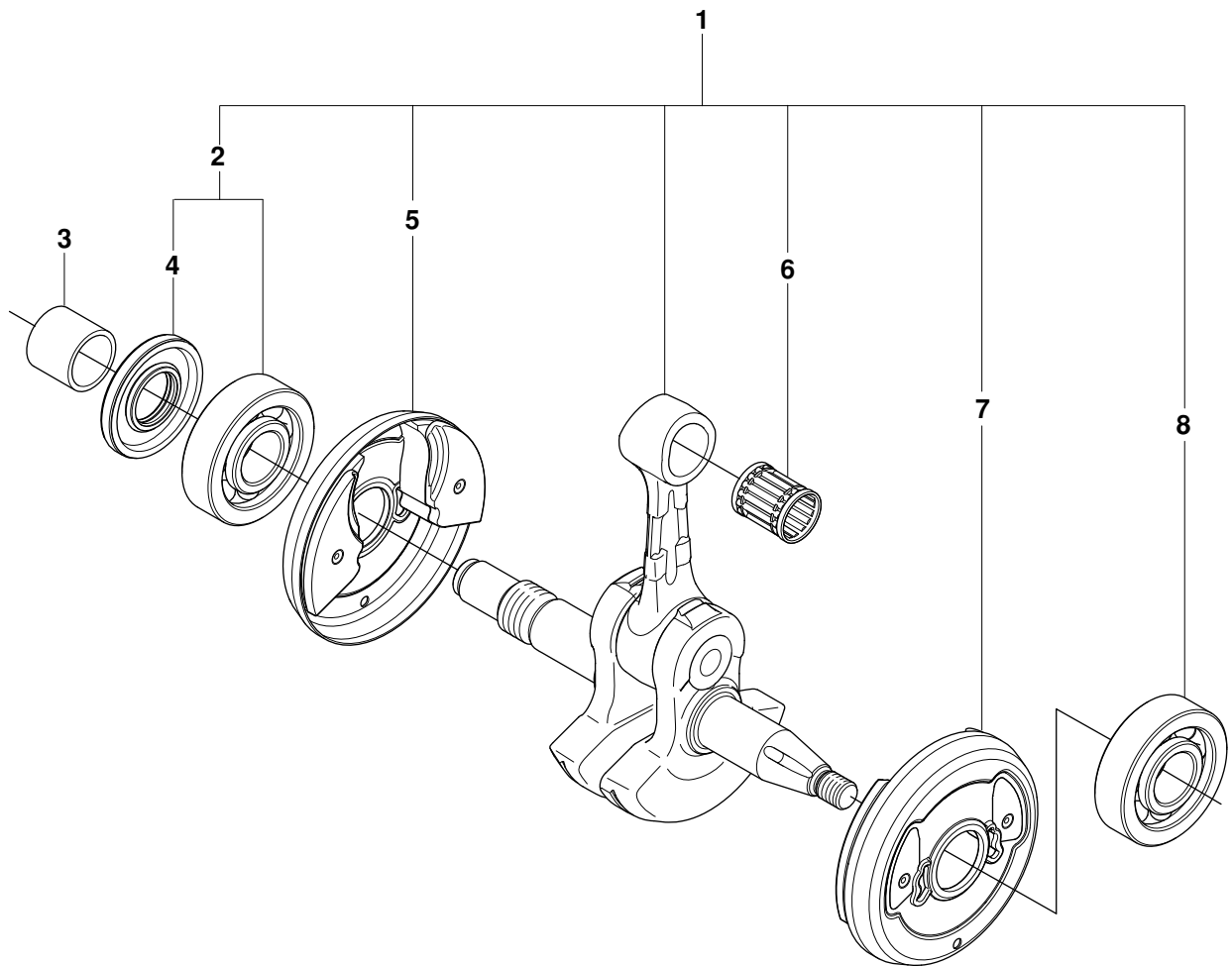
# M2 570, 576XP



**Page M2, Crankcase  
570, 576XP**

<b>Pos.</b>	<b>Compl No.</b>	<b>Part No.</b>	<b>Quantity</b>	<b>Notes</b>
1		537 20 93-04	1	570
1		544 89 66-02	1	576XP
2	537 20 93-04, 544 89 66-02	505 11 15-01	1	
3	537 20 93-04, 544 89 66-02	505 11 15-01	1	
4		503 89 47-01	4	Orange
4		503 89 47-03	4	Grey
5		503 20 73-20	1	
6		537 20 92-01	1	
7		503 20 02-12	1	
8		537 20 39-01	1	
9		505 48 68-01	1	
10		503 20 08-70	6	
11		503 84 61-01	1	
12	537 21 52-02	503 57 89-01	1	
13	537 21 52-02	537 21 50-01	1	
14		537 21 52-02	1	

**N** 570, 576XP

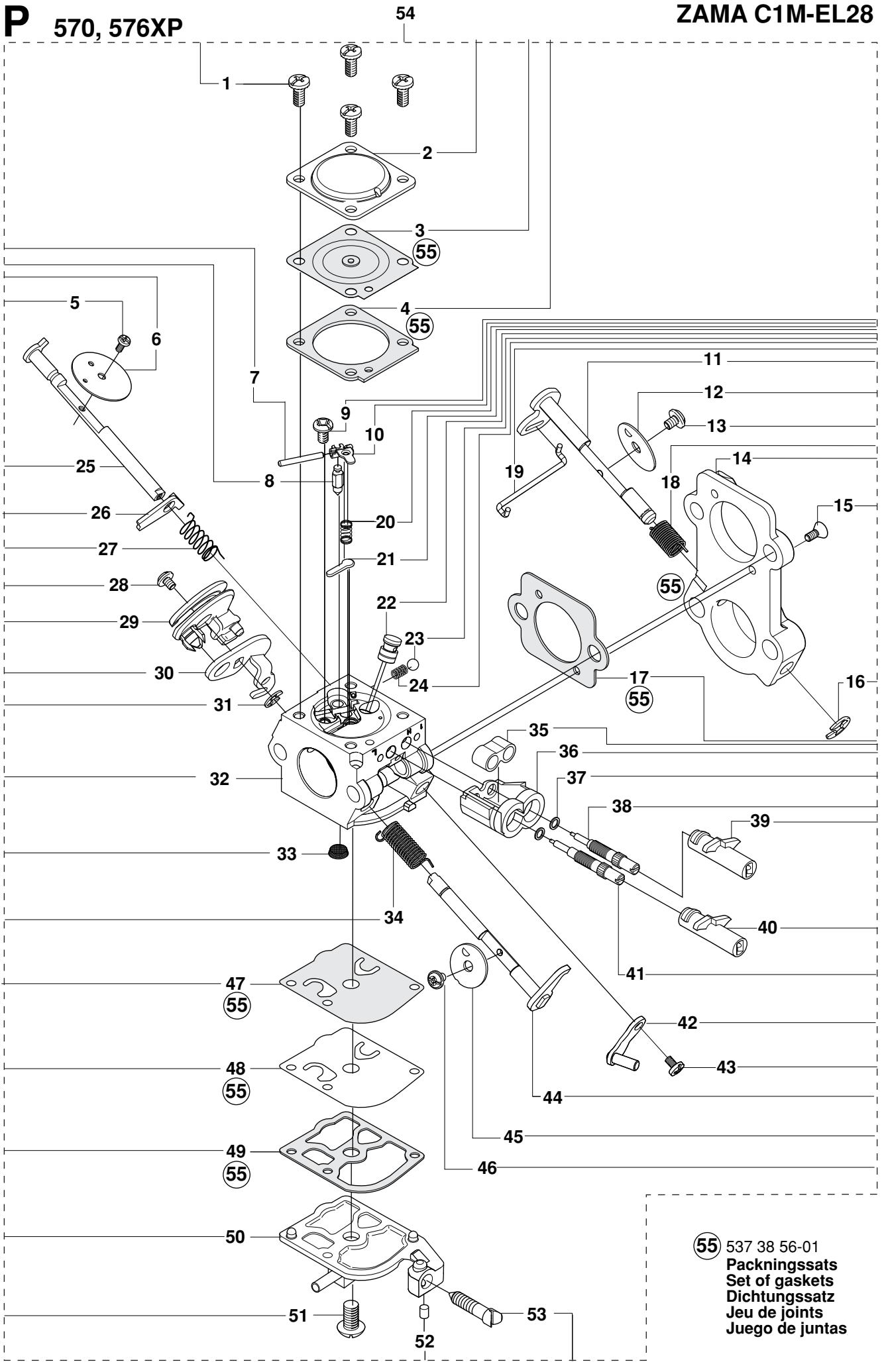


**Page N, Crank shaft  
570, 576XP**

<b>Pos.</b>	<b>Compl No.</b>	<b>Part No.</b>	<b>Quantity</b>	<b>Notes</b>
1		505 12 19-01	1	
2	505 12 19-01	505 41 60-01	1	
3		537 20 58-01	1	
4	505 41 60-01, 505 12 19-01	505 41 61-01	1	
5	505 12 19-01	537 20 33-01	1	
6	505 12 19-01	503 25 56-01	1	
7	505 12 19-01	537 20 33-01	1	
8	505 12 19-01	505 48 67-01	1	

**P** 570, 576XP

**ZAMA C1M-EL28**

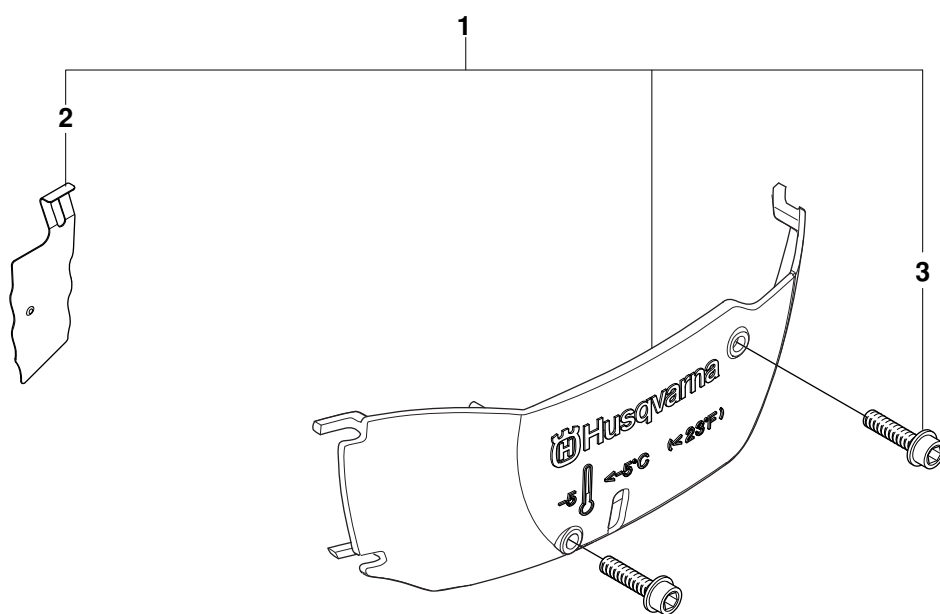


**55** 537 38 56-01  
**Packningssats**  
**Set of gaskets**  
**Dichtungssatz**  
**Jeu de joints**  
**Juego de juntas**

**Page P, Carburetor details  
570, 576XP**

Pos.	Compl No.	Part No.	Quantity	Notes
1	544 19 98-01	503 48 05-01	4	
2	544 19 98-01	537 38 37-01	1	
3	544 19 98-01, 537 38 56-01	537 38 35-01	1	
4	544 19 98-01, 537 38 56-01	537 38 36-01	1	
5	544 19 98-01	503 48 18-01	1	
6	544 19 98-01	537 26 68-01	1	
7	544 19 98-01	503 48 00-01	1	
8	544 19 98-01	503 47 97-01	1	
9	544 19 98-01	503 48 01-01	1	
10	544 19 98-01	503 66 59-01	1	
11	544 19 98-01	544 23 78-01	1	
12	544 19 98-01	537 17 70-01	1	
13	544 19 98-01	503 48 18-01	1	
14	544 19 98-01	544 19 98-01	1	
15	544 19 98-01	537 38 51-01	2	
16	544 19 98-01	537 38 50-01	1	
17	544 19 98-01, 537 38 56-01	537 38 53-01	1	
18	544 19 98-01	537 38 55-01	1	
19	544 19 98-01	544 23 79-01	1	
20	544 19 98-01	537 38 34-01	1	
21	544 19 98-01	503 53 56-01	1	
22	544 19 98-01	544 23 77-01	1	
23	544 19 98-01	537 01 25-01	1	
24	544 19 98-01	537 01 26-01	1	
25	544 19 98-01	537 38 42-01	1	
26	544 19 98-01	544 23 80-01	1	
27	544 19 98-01	537 38 44-01	1	
28	544 19 98-01	503 47 90-01	1	
29	544 19 98-01	537 21 37-01	1	
30	544 19 98-01	537 38 41-01	1	
31	544 19 98-01	537 38 52-01	1	
32	544 19 98-01	544 19 98-01	1	
33	544 19 98-01	503 53 57-01	1	
34	544 19 98-01	537 38 29-01	1	
35	544 19 98-01	537 27 42-01	1	
36	544 19 98-01	503 90 34-01	1	
37	544 19 98-01	503 97 40-01	2	
38	544 19 98-01	537 38 38-01	1	
39	544 19 98-01	537 38 47-01	1	
40	544 19 98-01	537 38 46-01	1	
41	544 19 98-01	537 38 39-01	1	
42	544 19 98-01	537 38 45-01	1	
43	544 19 98-01	503 47 90-01	1	
44	544 19 98-01	537 38 28-01	1	
45	544 19 98-01	537 38 30-01	1	
46	544 19 98-01	503 48 18-01	1	
47	544 19 98-01, 537 38 56-01	537 38 31-01	1	
48	544 19 98-01, 537 38 56-01	537 40 33-01	1	
49	544 19 98-01, 537 38 56-01	537 02 01-01	1	
50	544 19 98-01	537 38 32-01	1	
51	544 19 98-01	503 47 96-01	1	
52	544 19 98-01	503 48 11-01	1	
53	544 19 98-01	537 38 33-01	1	
54	544 19 98-01	544 19 98-01	1	ZAMA C1M-EL28
55		537 38 56-01	1	

**R** 570, 576XP





**Page R, Winter kit  
570, 576XP**

<b>Pos.</b>	<b>Compl No.</b>	<b>Part No.</b>	<b>Quantity</b>	<b>Notes</b>
1		504 04 57-01	1	576XP
1		537 21 24-01	1	570
2	504 04 57-01, 537 21 24-01	537 21 05-01	1	
3	504 04 57-01, 537 21 24-01	503 21 70-16	2	